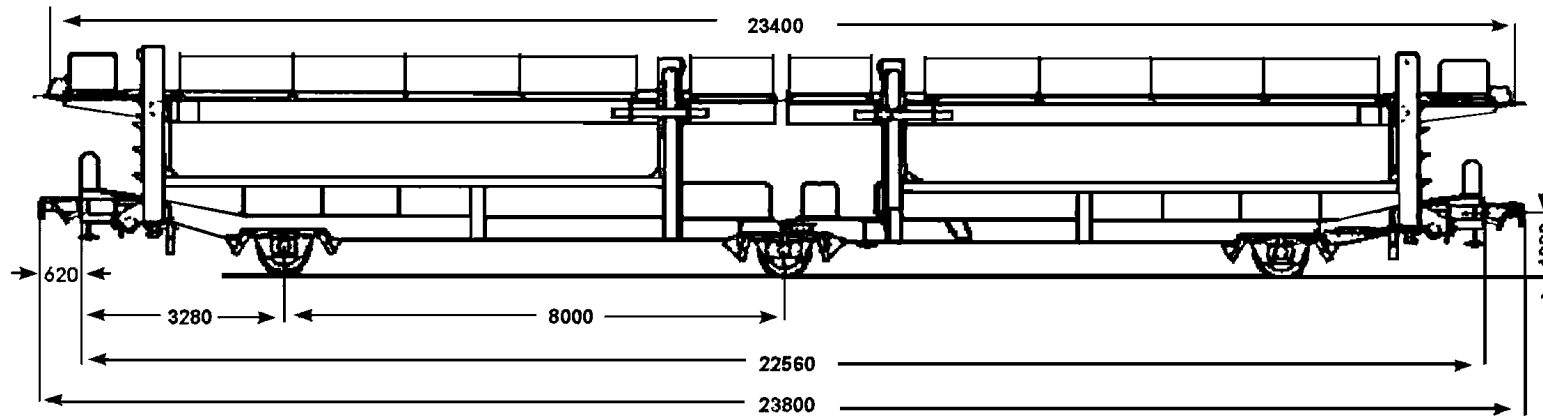


# Vehicle transport wagon type 551 Laekks



Maximum load per unit

	A	B	C
S	20,0		

Average empty weight

24,3 t

Length over buffers

23.800 mm

Height above rail level

830 mm

Minimum curved track radius

80 m

Number / type of wheel stoppers

48 hinged wheel stoppers

International usage

RIV

Upper deck completely lowerable

Loading height

see back page

Loading gauge height

see back page

Loading length

22.990 mm

23.400 mm

Loading width

2.740 mm

2.600 mm

Gauge (exterior)

2.050 mm

1.964 mm

Weight of load (max. 20,0 t)

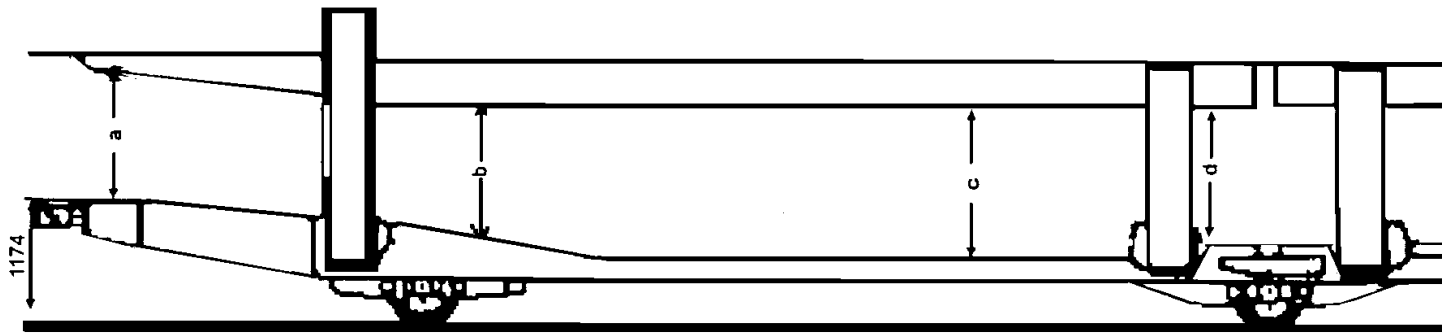
12,0 t

10,0 t

lower deck

upper deck

# Vehicle transport wagon type 551 Laekks



Upper deck in position	Clearance height of lower deck (mm)				Maximum loading gauge of upper deck (mm) in				
	a	b	c	d	Germany	France	Italy	Belgium	Switzerland
<b>1-1</b>	1.172	1.340	1.490	1.510	2.250	1.880	1.900	2.200	2.100
<b>2-2</b>	1.492	1.660	1.810	1.830	1.930	1.560	1.580	1.880	1.780

