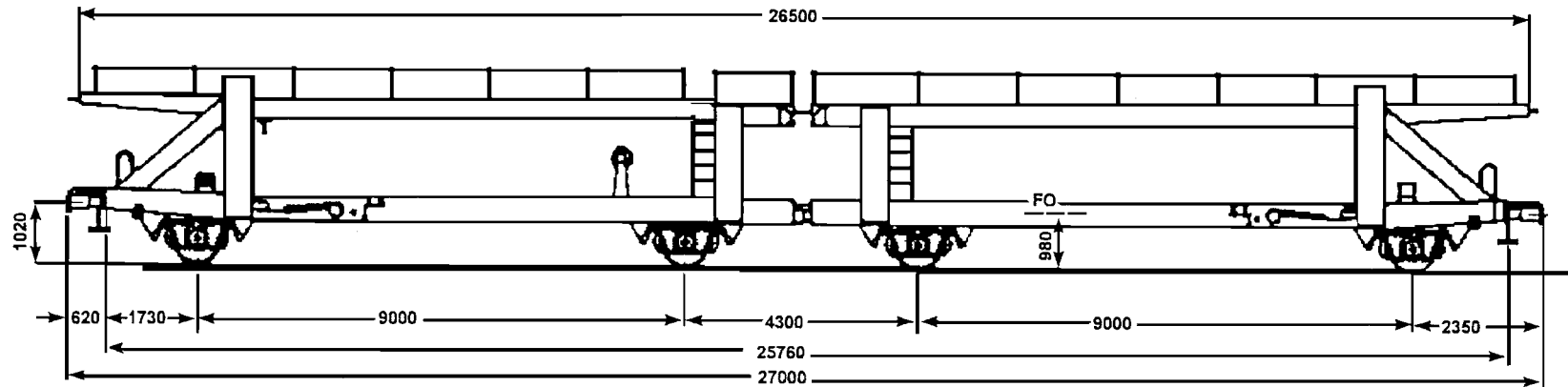


Vehicle transport wg. type 553 Laaeks/Laaes



Maximum load per unit

	A	B	C
S	18,5		
120	0,00		

Average empty weight

26,5 t

Length over buffers

27.000 mm

Height above rail level

980 mm

Minimum curved track radius

80 m

Mobile wagon components

4 crank handles

Number / type of wheel stoppers

56 hinged wheel stoppers

International usage

RIV

Upper deck lowerable at the front ends for loading or unloading

	lower deck	upper deck
Loading height approved by DB (end of wagon)		1.850 mm
Loading height approved for transit (end of wagon)		1.480 mm
Loading gauge height	1.570 mm	
Loading length	26.100 mm	26.500 mm
Loading width	3.000 mm	2.910 mm
Gauge (exterior)	2.050 mm	2.050 mm
Weight of load (max. 18,5 t)	12,0 t	10,0 t